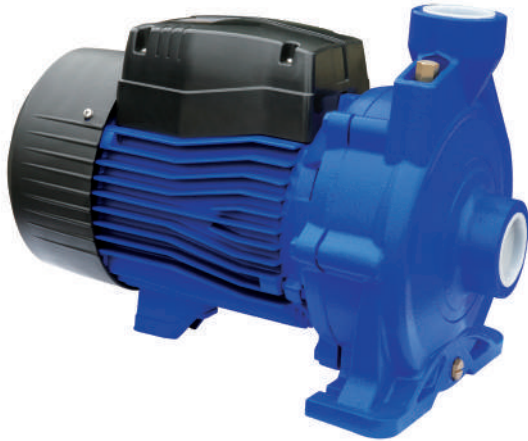


# PRODUCT DATA SHEET

BIANCO - FC550T • 802809



BRAND

**BIANCO**  
**PUMPZ**

## PRODUCT DETAILS

The BIANCO FC550T is a robust cast iron, single stage, horizontal end suction centrifugal pump.

Manufactured using high quality materials and components BIANCO FC Series are quiet and reliable offering 'best in class' high performance operation.

## APPLICATIONS

- Transfer of clean water or other liquids similar to water in physical and chemical properties.
- Ideal for use in agriculture, horticulture or other industrial services
- Wash-down, tank filling, water transfer, HVAC, circulation, fire fighting, pressure boosting.

## FEATURES

- 400V three phase TEFC motor with in-built auto reset thermal overload to prevent pump from damage
- Excellent motor and hydraulic efficiency
- Electrochemical **cataphoresis** treatment applied to the pump body for enhanced corrosion resistance

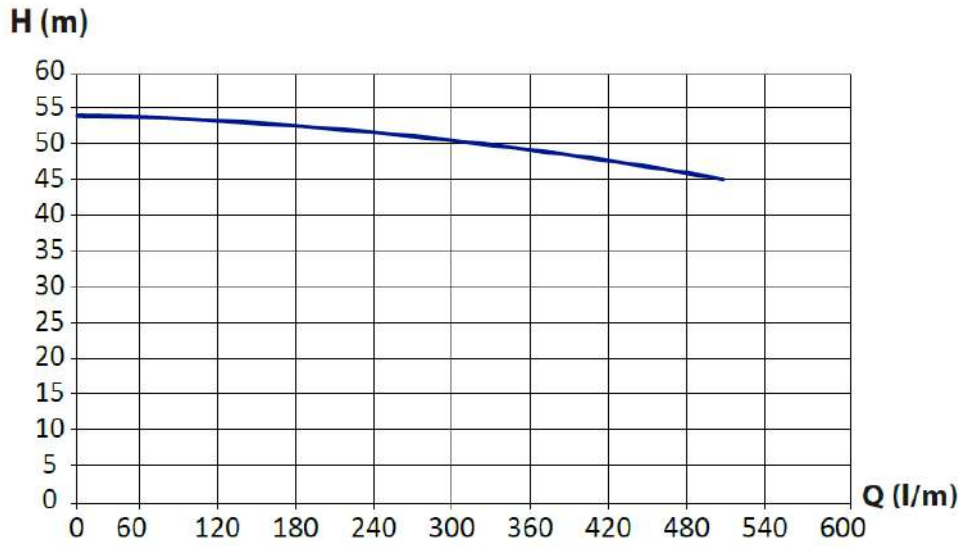
To protect the pump from excessive cycling and to isolate from the effects of water hammer, adding a pressure tank to the system is highly recommended

## TECHNICAL DATA

<b>RATED POWER (P2)</b>	5.5kW (7.5hp)
<b>MAX. FLOW [LPM]</b>	500 LPM
<b>MAX. HEAD [M]</b>	54m
<b>MAX. PRESSURE RATING</b>	8 bar
<b>FLUID TEMP RANGE</b>	4 - 60 deg C
<b>MAX. AMBIENT TEMP</b>	40 deg C
<b>MOTOR RATING</b>	Continuous
<b>MOTOR INSULATION</b>	Class F
<b>PUMP BODY</b>	Cast Iron HT200
<b>MOTOR SHAFT AND IMPELLER</b>	304 grade stainless steel
<b>MECHANICAL SEAL</b>	Carbon / Ceramic
<b>O RINGS</b>	Nitrile

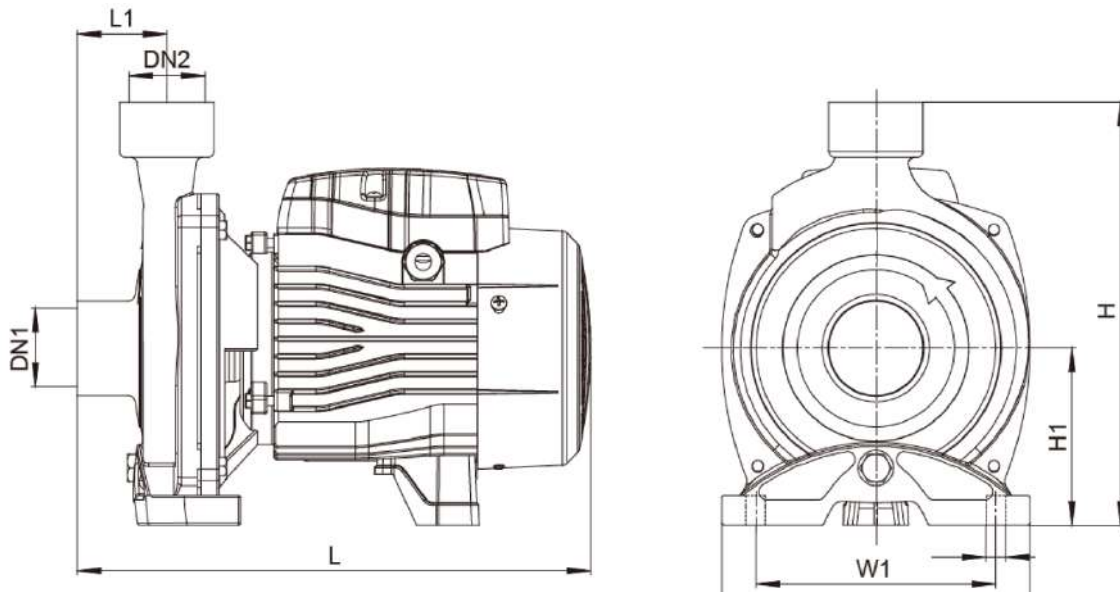
<b>RATED VOLTAGE (V)</b>	3 ph 380V (-6%) to 415V (+6%) 50 hz
<b>RATED CURRENT (A)</b>	13A
<b>RATED SPEED (RPM)</b>	2800 - 2 pole
<b>MOTOR TYPE</b>	Asynchronous, TEFC
<b>IP RATING</b>	I.P. 44
<b>SUCTION CONNECTION</b>	2" BSPF
<b>DISCHARGE CONNECTION</b>	2" BSPF
<b>AUTOMATIC OPERATION</b>	No - bare pump only
<b>MOTOR PROTECTION</b>	Auto re-setting thermal overload
<b>CARTON DIMENSIONS</b>	562mm L x 328mm W x 383mm H
<b>GROSS WEIGHT (KG)</b>	57.1kg

## CURVE



BIA-FC550T

## DIMENSIONS



MODEL	L	W	H	L1	W1	H1	Bolt Hole Ø	DN1	DN2
BIA - FC550T	496.5mm	280mm	326mm	70mm	195mm	136mm	10mm	2" BSPF In	2" BSPF Out

## WARRANTY / CERTIFICATIONS

